

ACES DUST CONTROL

Unit CE



CE is a high quality plug and play suction unit, with good filter technology.

The suction unit is preferably used for:

- Cleaning in industry and construction
- Central vacuum cleaning
- Extraction of dust and smoke
- Weld fume extraction
- Chip extractor: wood, metal, plastic, etc.

Extraction takes place in two steps:

- Coarse separation by the cyclone
- Fine separation in pleated tapered cartridge filter

Effective automatic filter cleaning by air pulse ensures good suction capacity even at high dust loads. The control cabinet, with starting device, has built-in functions for: start/stop, filter cleaning and terminal strip connection for external start. The unit is equipped with a vacuum valve to ensure cool air to the side channel blower. Cyclone and chassis are made of powder coated steel. Color: RAL 7044

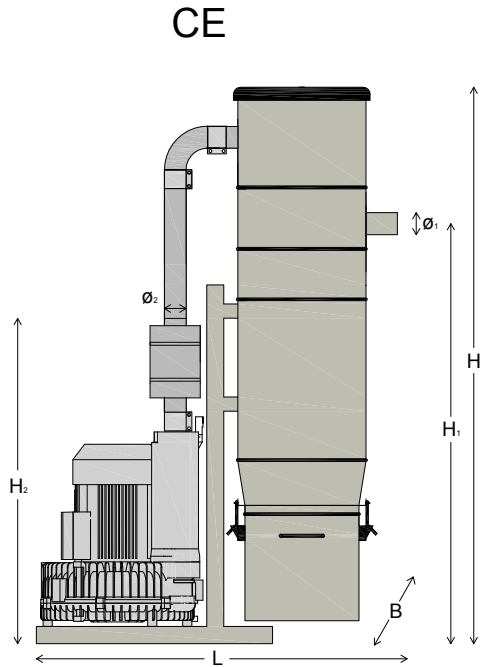
Technical data

	CE-MOB	CE-3	CE-5	CE-13	CE-18
Motor capacity (kW)	5,5	3	5,5	13	18,5
Max flow open inlet appr. (m ³ /h)	550	312	550	1140	1350
Max negative pressure (kPa)	-26	-25	-26	-30	-30
Filter area (m ²)	7,5	7,5	7,5	10	25
Filter material	Pressed polyester				
Filter class BIA	USGC (99,9% filter efficiency)				
Sound level silencer dB(A)	72	68	72	74	76
Height mm	1800	1700	1700	1930	2280
Width mm	600	600	600	600	800
Length mm	1150	1150	1150	1200	1280
Req.. El: 3x 380V50Hz w. 0 (A)	20	16	20	50	50
Ø inlet/outlet (mm)	76/80	76/80	76/80	102/100	127/125
Air pressure	6 l/s 5 bar	6 l/s 5 bar	6 l/s 5 bar	6 l/s 5 bar	6 l/s 5 bar
Connect. Ø air pressure (mm)	6	6	6	6	6
Container (L)	40	40	40	40	40

Optional: static frequency changer with demand control, plastic bag in the container (with associated equalization hose and bottom lining), collection in a plastic bag and HEPA filter for outlet.

ACES DUST CONTROL

Unit CE



	CE-MOB	CE-3	CE-5	CE-13	CE-18
L (mm)	1150	1150	1150	1200	1280
B (mm)	600	600	600	600	800
H (mm)	1800	1700	1700	1930	2280
H ₁ (mm)	1350	1250	1250	1485	1930
H ₂ (mm)	1110	910	1010	1110	1200
Ø ₁ (mm)	76	76	76	102	127
Ø ₂ (mm)	80	80	80	100	125
Weight (kg)	200	160	180	265	365

CE-MOB
Mobile unit



CE-3 and CE-5
Stationary unit



CE-13
Stationary unit

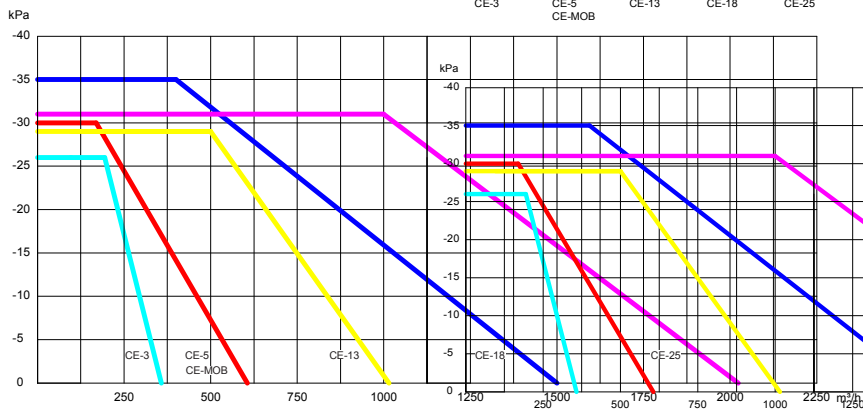


CE-18
Stationary unit



- 3,0 kW
CE-3
- 5,5 kW
CE-5
CE-MOB
- 13 kW
CE-13
- 18,5 kW
CE-18
- 25 kW
CE-25

Fan capacity



Dimensioning table

	Conn. Ø (mm)	Airflow (m ³ /h)
Welding torch	32-38	100
Hand grinding	25	70
Hand grinding	32	120
Hand grinding	38	165
Floor cleaning	32	120
Floor cleaning	38	165
Floor cleaning	50	280